

**BROOKS
BROOKS**

JOHN BROOKS COMPANY LIMITED

***Let us Solve your
Fluid Handling Problems***



**Custom Engineered
Solutions**

Why not let us design your Fluid Handling Systems?

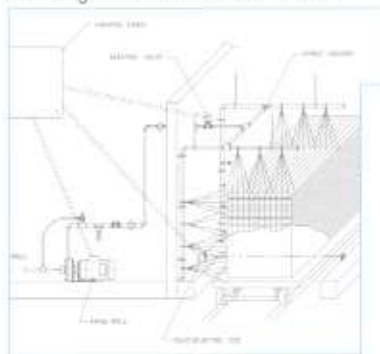
John Brooks Company Limited has engineered large and small Fluid Handling Systems for Canadian Industry for over 40 years.

We design and supply complete liquid process systems involving pumps, filters, spraying equipment, valves, controls and other components. If you could use assistance with new projects or trouble shooting an existing installation, just fax us the specification form on the back page to let us know what you need.

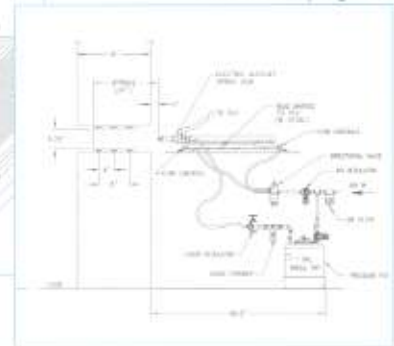
Some projects we have worked on...

- Air dry system for automotive crankshafts after washing
- Automatic top & bottom die lubrication system
- Coating of dry pet food with liquid food additives
- Coating of roofing materials with fire retardant
- Coating system for high quality paper production
- Coating windshields with anti-glare material
- Cooling system for aluminum extrusions
- Curing chemical application in production of precast concrete parts
- Cutting tool lubricant supply and filtration
- Duplex filter with booster pump for portable use
- Duplex sewage pump system for municipal use
- Dust control system for aggregate producer
- Educator system for tank agitation in the plating industry
- High impact washing of storage tanks with recirculation of pre-wash
- High pressure cleaning shower with oscillator for paper machine
- High pressure descaling system for steel billets
- Ink pump & filter system with hopper & float switch
- Log pile wetting to avoid shrinkage. Run-off water is recirculated.
- Oscillating knock-off shower for paper mill "save-all" filter
- Portable cart-mounted tank washing system
- Protective mist coating system for wire coil production
- Pump & duplex filter for tanker loading & unloading
- PVDF Dual filter system for corrosive chemicals
- Railcar hopper de-icing prior to opening hatches
- Self-contained portable system for applying BBQ sauce to spare ribs
- Spray coating meat pies with egg glaze on production line
- Spray coating system for hard candy
- Spray cooling system in production of truck springs
- Spray cooling system used in the manufacture of steel tubing
- Spray nozzle wear-test fixture for the steel industry
- Tote washing station for inside and outside cleaning
- Truck mounted tire sanitizing spray system for farm feed delivery
- Two part sealant applicator for basement waterproofing membrane
- Two stage filtration system for rolling mill re-circulated cooling water
- Underbody wash system for garbage trucks exiting landfill site
- Various humidifying systems for process and storage areas
- Waffle iron oil application system for frozen waffle production
- Washing and drying steel drums in the reconditioning process
- Washing stations for cleaning inside and outside of tote tanks

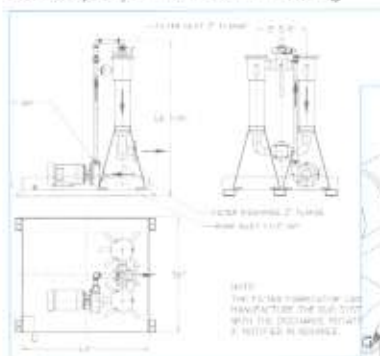
Washing stacks of lumber at stud mill



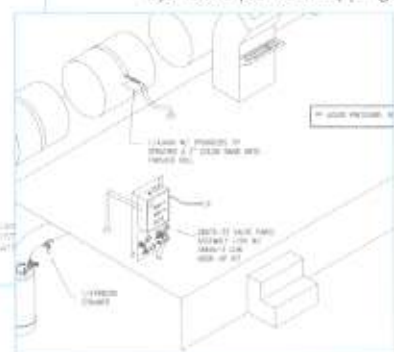
Retractable nozzle for applying lubricant to top & bottom stamping dies



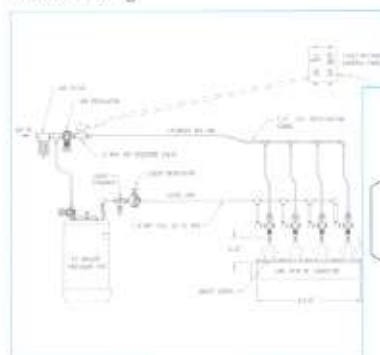
Skid mounted dual filter system with booster pump for tank car unloading



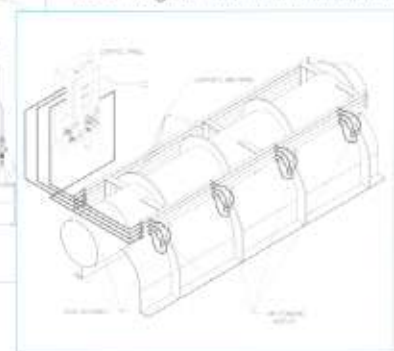
Coding paper rolls with coloured dye band prior to shipping



Spraying an egg glaze onto pastries before baking



Variable flow-rate cooling system for a range of aluminum extrusions

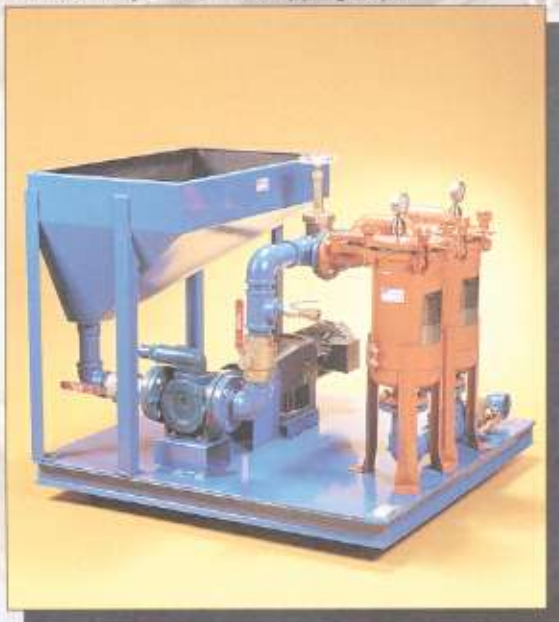


Custom Engineered Solutions

A few of the Fluid Handling System projects we have completed recently.

- Each system is designed and engineered to the customer's specific requirements.
- Electronic and hard copy drawings are provided during the planning stages to assist in selecting the final configuration, and then revised if necessary for use as a guide for installation.
- Supervision for installation and start-up is available where required.

Dual filters with pump, hopper and level controls for printers' ink shipping dept.



Test fixture to determine spray nozzle wear rate for steel mill



Quad pump set with alternating controls for a municipal sewage lift station



Centralized system for supplying and filtering machine tool lubricant



Custom Engineered Solutions

Why not let us design your Fluid Handling Systems?

Please provide us with a quick sketch and some information about your application below and **FAX** to John Brooks Systems Engineering Group toll free @ **1-877-624-5759**:

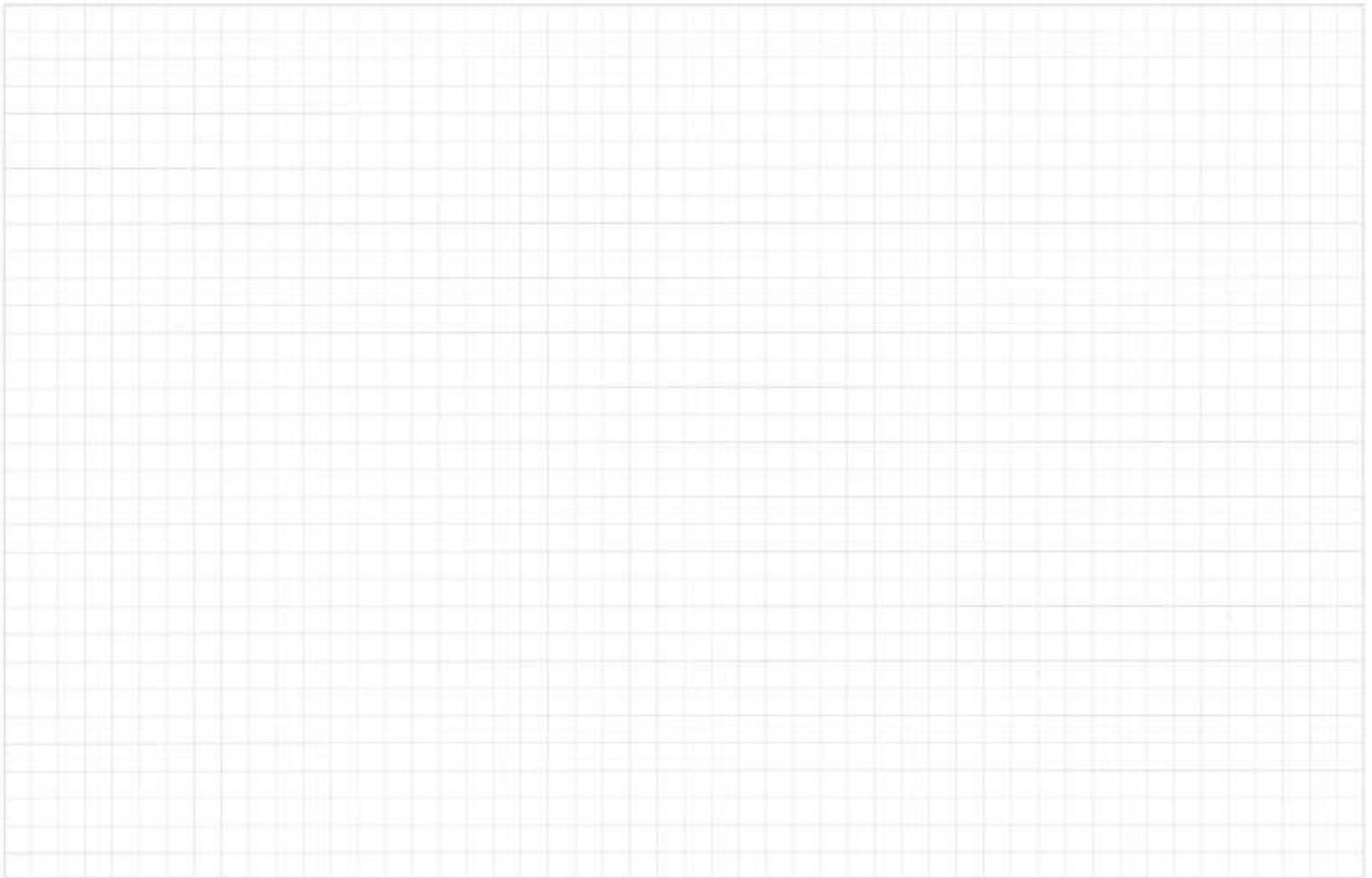
Requirements: Spray Pump Application Filtration Liquid Transfer

Description:.....
.....
.....
.....
.....

Type of Liquid:..... Temperature:.....

Company Name:..... Phone: ().....

Contact Name:..... Fax: ().....



TOLL FREE Tel: 1-877-624-5757 Fax: 1-877-624-5759

VANCOUVER
Tel: 604-942-7622
Fax: 604-942-9429

EDMONTON
Tel: 780-468-4499
Fax: 780-468-5143

CALGARY
Tel: 403-219-0939
Fax: 403-250-1440

SASKATOON
Tel: 306-668-4636
Fax: 1-888-841-9752

WINNIPEG
Tel: 204-786-5529
Fax: 204-783-4453

MISSISSAUGA
Tel: 905-624-4200
Fax: 905-624-6379

MONTREAL
Tel: 514-636-6400
Fax: 514-636-6433

DARTMOUTH
Tel: 902-832-3935
Fax: 902-832-4567