

# PREP Systems: For a total filtration solution

# PRX

When a complete filtration solution is your goal, a LAKOS PREP System is the answer.

A total solution requires more than just getting the solids out of your process. Addressing the tough demands of the process industries, the LAKOS PREP System is designed and engineered to give a total solution - enabling you to get the solids out of your fluid, out of the separator and out of your facility.

Featuring the centrifugal-action performance of the LAKOS Separator, the fully engineered PREP System offers your choice of purging and solids-handling options along with complete electrical controls, all mounted on a modular support stand.

### Fully-accessible LAKOS Separator

Industrial-quality JPX-Series Separators with patented Vortube and Swirlex slots. Weld-on flanges and ASME code construction options available. Separators included in a PREP system have an extended, 10-year warranty.

### Choice of inlet profile

Specify up, down or either side to accommodate desired installation piping scheme.

### Automatic purging options

Pneumatic pinch valve or the patented LAKOS Purge Liquid Concentrator.

### Solids-handling options

Drum shroud decant system or rollaway solids collection hopper offer convenient options for handling purged solids.

### Engineered support stands

Modular for easier and more affordable shipping; two styles to match separator size. Carbon steel.

### Value-added accessories

Included with all PREP Systems: Inlet and outlet spools with couplings; a complete set of spare valve liners; inlet and outlet pressure gauges with petcock valves; full-port manual isolation valve.



Flow range:  
4 - 12,750 U.S. gpm  
(1 - 2895 m<sup>3</sup>/hr)

*Custom system configurations and systems with pumps and other components available; contact factory.*

Description

Components

Dimensions

Specifications

Warranty

## Dimensions

### Limited Warranty

All products manufactured and marketed by this corporation are warranted to be free of defects in material or workmanship for a period of at least one year from date of delivery. Extended warranty coverage applies as follows:

All LAKOS Separators: Five year warranty

All LAKOS PREP System Separators: Ten year warranty

All other components: 12 months from date of installation; if installed 6 months or more after ship date, warranty shall be a maximum of 18 months from ship date.

If a fault develops, notify us, giving a complete description of the alleged malfunction. Include the model number(s), date of delivery and operating conditions of subject product(s). We will subsequently review this information and, at our option, supply you with either servicing data or shipping instruction and returned materials authorization. Upon prepaid receipt of subject product(s) at the instructed destination, we will then either repair or replace such product(s), at our option, and if determined to be a warranted defect, we will perform such necessary product repairs or replace such product(s) at our expense.

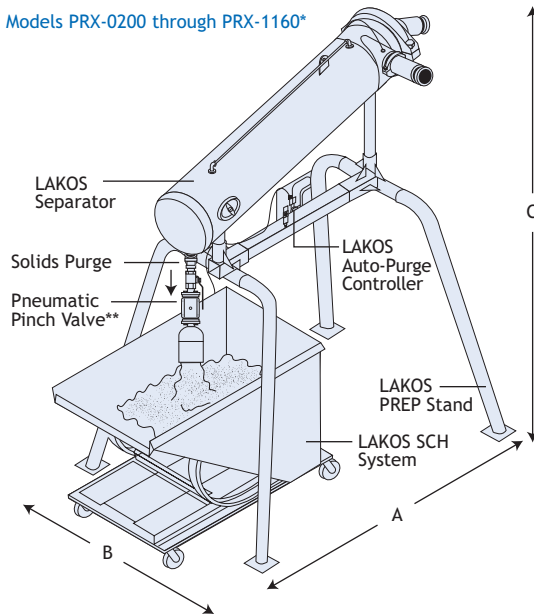
This limited warranty does not cover any products, damages or injuries resulting from misuse, neglect, normal expected wear, chemically-caused corrosion, improper installation or operation contrary to factory recommendation. Nor does it cover equipment that has been modified, tampered with or altered without authorization.

No other extended liabilities are stated or implied and this warranty in no event covers incidental or consequential damages, injuries or costs resulting from any such defective product(s).

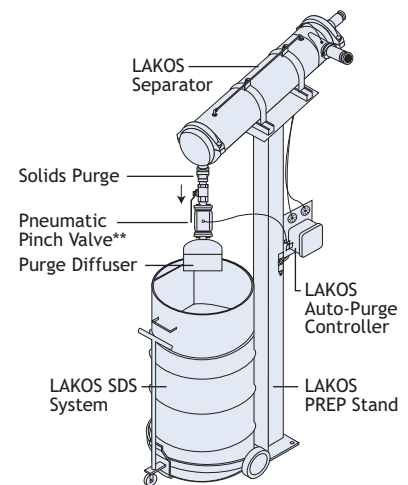
LAKOS products are manufactured and sold under one or more of the following U.S. Patents: 3,289,608; 3,512,651; 3,568,837; 3,701,425; 3,947,364; 3,963,073; 4,027,481; 4,120,795; 4,123,800; 4,140,638; 4,147,630; 4,148,735; 4,305,825; 4,555,333; 5,320,747; 5,338,341; 5,368,735; 5,425,876; 5,571,416; 5,578,203; 5,622,545; 5,653,874; 5,894,995; 6,090,276; 6,143,175; 6,167,960; 6,202,543; Des. 327,693; and corresponding foreign patents. Other U.S. and foreign patents pending.

1365 North Clovis Avenue  
Fresno, California 93727 USA  
Telephone: (559) 255-1601  
FAX: (559) 255-8093  
Toll Free: (800) 344-7205  
(USA, Mexico & Canada)  
Internet: www.lakos.com  
E-mail: info@lakos.com

Models PRX-0200 through PRX-1160\*



\*Consult factory for information on stands for larger systems.  
\*\*Purge Liquid Concentrator option available.



Models PRX-0004 through PRX-0130  
Stand footprint is 10" square (254 mm); height is 89" (2261 mm), (without separator). Total space requirement will depend on solids collection options.

Model	Length (A)		Width (B)		Height (C)*	
	in.	mm	in.	mm	in.	mm
PRX-0200	71-1/2"	1816	78-1/4"	1994	115-3/4"	2940
PRX-0285	82-5/8"	2099	78-1/4"	1994	122-3/4"	3118
PRX-0450	96-7/8"	2461	78-1/4"	1994	129-3/4"	3296
PRX-0650	106-3/8"	2702	78-1/4"	1994	106-3/8"	2702
PRX-1160	121"	3073	78-1/4"	1994	149-5/8"	3800

\*Add 13-1/4" (337 mm) to overall height for systems with Purge Liquid Concentrator option.

## Specifications

Model	Flow Range		Inlet/Outlet Grooved Coupling*	Purge Size Male N.P.T.
	U.S. gpm	m <sup>3</sup> /hr		
PRX-0004	4 - 10	1-2.5	1/2"	2"
PRX-0010	10 - 20	2.5-4.5	3/4"	2"
PRX-0016	16 - 30	4-7	1"	2"
PRX-0028	28 - 45	7-10	1-1/4"	2"
PRX-0038	38 - 65	9-15	1-1/2"	2"
PRX-0060	60 - 100	14-23	2"	2"
PRX-0085	85 - 145	19-33	2-1/2"	2"
PRX-0130	130 - 225	30-51	3"	2"
PRX-0200	200 - 325	45-74	4"	2"
PRX-0285	285 - 525	65-120	4"	2"
PRX-0450	450 - 825	102-187	6"	2"
PRX-0650	650 - 1200	150-275	6"	2"
PRX-1160	1160 - 2150	265-490	8"	2"
PRX-1850	1850 - 3400	420-775	10"	2"
PRX-2650	2650 - 4900	600-1115	12"	2"
PRX-4200	4200 - 7800	950-1775	16"	3"
PRX-6700	6700 - 12750	1520-2895	20"	3"

\*PRX-0004 and PRX-0010 are male N.P.T.